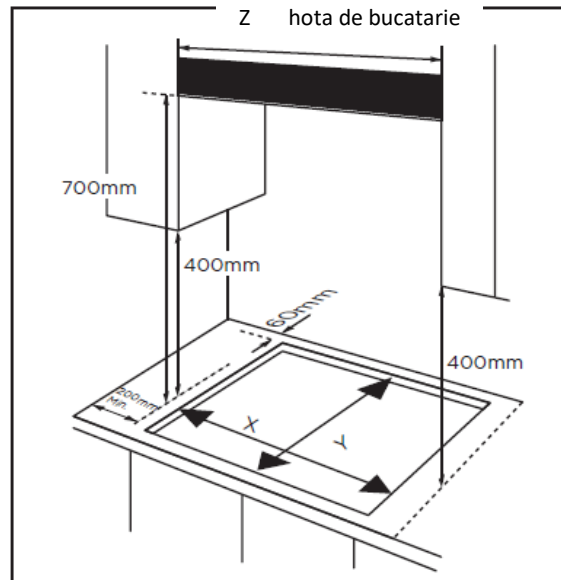


INSTALLING

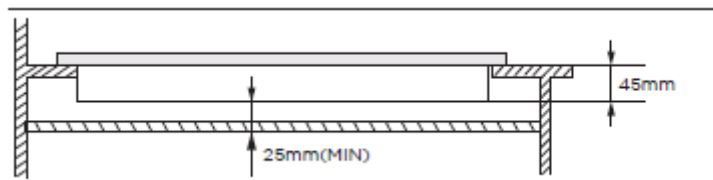
Clearances required when fitting the hob with a cooker hood above:

This appliance is to be built into a kitchen unit or 600mm worktop, providing the following minimum distances are allowed.



X	Y	Z
560 mm	480 mm	600 mm

- The edges of the hob must be a minimum distance of 60 mm from a side or rear wall.
- 700 mm between the highest point of the hob surface (including the burners) and the underside of any horizontal surface directly above it.
- 400 mm between the hob surfaces, providing that the underside of the horizontal surface is in line with the outer edge of the hob. If the underside of the horizontal surface is lower than 400 mm, then it must be at least 50 mm away from the outer edges of the hob.
- 50 mm clearance around the appliance and between the hob surface and any combustible materials.
- You must have a gap of at least 25 mm and at most 74 mm between the underneath of the appliance and any surface that is below it.



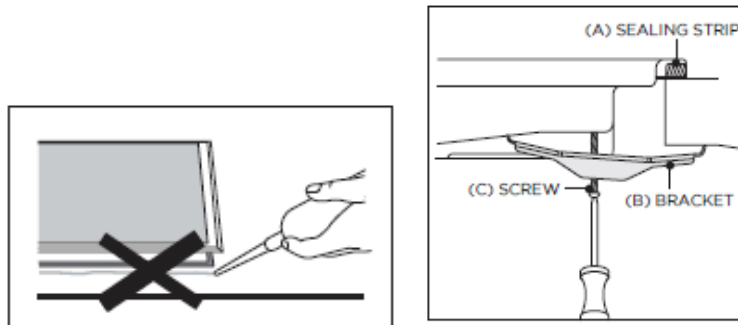
- An oven must have forced ventilation to install a hob above it.
- Check the dimensions of the oven in the installation manual.
- The cut-out size must obey the indication

Installing the appliance

1. Remove the pan supports, the burner lid and flame spreader and carefully turn the appliance upside down and place it on a cushioned mat.
2. Take care that the Ignition devices and flame supervision devices are not damaged in this operation. Apply the sponge provided around the edge of the appliance.

3. Do not leave a gap in the sealing agent or overlap the thickness.

- Do not use a silicon sealant to seal the appliance against the aperture.
- This will make it difficult to remove the appliance from the aperture in future, particularly if it needs to be serviced.



1. Place the bracket (B) over the holes that match the size of the screws. There are one set of screw holes in each corner of the hob (H). Slightly tighten a screw (C) through the bracket (B) so that the bracket is attached to the hob, but so that you can still adjust the position.
2. Carefully turn the hob back over and then gently lower it into the aperture hole that you have cut out.
3. On the underneath of the hob, adjust the brackets into a position that is suitable for your worktop. Then fully tighten the screws (C) to secure the hob into position.